



AQUASEARCHER™

AB41PH Benchtop Meter



An Advanced, Research-Grade Benchtop pH Meter Offering Accurate, Repeatable Results

The OHAUS AquaSearcher™ AB41PH benchtop meter is designed with reliable measurement and precise performance in mind. The i-Steward ensures repeatable and consistent measurement accuracy for optimal peace of mind. The large LCD display and touch keypad makes changing the parameters, executing setup, and performing calibration as simple as using a smartphone.

Unique Features:

- With selectable resolution from 0.1 to 0.001 and an intelligent i-Steward system, AB41PH is an excellent pH benchtop meter with high resolution and consistent accuracy.
- Equipped with a 6.5-inch large LCD display and a touch keypad, AB41PH offers a simple and precise control experience.
- The AB41PH features a 1000-item memory and password management for GLP documentation. Provides connectivity and data output capabilities with RS232 and USB interface.

AQUASEARCHER™ AB41PH Benchtop Meter

i-Steward Indicators include the pH electrode condition, "Electrode Dirty/Broken," and reminder when meter needs recalibration. Selectable resolution from 0.1 to 0.001. Perform up to a 5-point pH calibration using automatic buffer recognition of 5 predefined buffer groups. Calibration log stores ten most recent calibrations. Compact stirrer can be used to uniformly mix solutions to get fast and repeatable results at no additional cost.



With multi-function touch keypad, you can operate the meter as easy as using a smartphone. All of the important information that you may need is shown on a 6.5" large display in multiple languages. Capture your critical readings with measurement stability indicator and selectable end-points modes – Auto-Stop holds a stable reading, Continuous shows changing readings and Timed logs data at specific intervals.



A 1000-item memory for measurements and calibration trail makes for efficient data documentation. Password management is suitable for GLP documentation. Standard RS232 and USB interface allows for connection to external devices such as a printer or computer for transfer or storage of data.



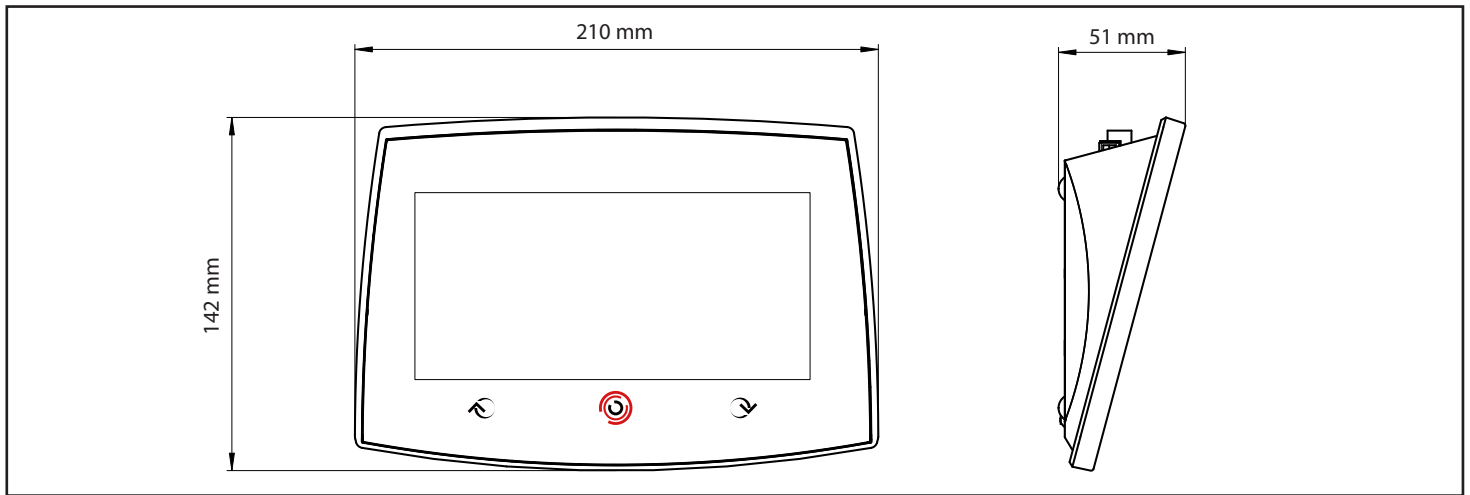
AQUASEARCHER™ AB41PH Benchtop Meter

Specifications

| Model | | AB41PH |
|----------------------|---------------------------------------|--|
| pH | Measuring Range | -2.000 to 20.000 pH |
| | Resolution | 0.1/0.01/0.001 pH |
| | Selectable Resolution | Yes |
| | Accuracy | ± 0.002 pH |
| | Pre-Defined Buffer Groups | 5 |
| ORP, RmV | Measuring Range | ± 2000.0mV |
| | Resolution | 0.1 mV |
| | Accuracy | ±0.3 mV |
| | Units | mV, RmV |
| Temperature | Measuring Range | -10.0 to 125.0 °C |
| | | 14°F to 257°F |
| | Resolution | 0.1 °C, 0.1 °F |
| | Accuracy | ± 0.3 °C, ±0.3 °F |
| Calibration | Calibration | 1 point cal offset |
| | Calibration Points | Up to 5 points |
| | Calibration Sign | Slope/offset & Face |
| Meter Specifications | Calibration Mode | Linear |
| | Display Type | 6.5" Segment & Dot matrix LCD with backlight |
| | Multilanguage User Interface | English, Spanish, French, Portuguese, Chinese, Russian and Turkish |
| | Measurement End-point Modes | Auto-stop, Timed, Continuous |
| | Datalog for measurement | 1000 sets data points with time and date stamp |
| | Datalog for calibration | 10 sets |
| | Keypad | Capacitive touch |
| | Output | Connect to PC via RS232 and USB, Connect to Printer via RS232 |
| | Password management | 10 User ID for password management |
| | pH electrode input | BNC |
| | Temperature input | Cinch, NTC 30 kΩ |
| | Installation Overvoltage | Category II |
| | Pollution | Degree 2 |
| | Power Supply | Universal, 100-240 VAC, 50-60 Hz |
| Ambient Operating | 5 to 40 °C, 5 to 80 %, non-condensing | |

AQUASEARCHER™ AB41PH Benchtop Meter

Outline Dimensions



Other Features and Equipment

- **Application:** pH, oxidation-reduction potential (ORP) with Temperature Measurements
- **Display:** 6.5" Segment & Dot matrix LCD with backlight
- **Operation:** AC adapter (included)
- **Communication:** RS232 and USB (included). GLP/GMP data output with real-time clock
- **Construction:** Capacitive touch, Compact Stirrer, ABS housing, standalone electrode holder
- **Design Features:** i-Steward, 3 endpoint modes, Calibration due alarm, 1,000 measurement memory, Ten most recent calibrations, Password management

Compliance

- **Product Safety:** IEC/EN 61010-1
- **Electromagnetic Safety:** IEC/EN 61326-1 Class B, basic environments; FCC Part 15 Class A; Canada ICES-003 Class A
- **Compliance Marks:** CE, RCM
- **Others:** WEEE, RoHS

Accessories

| | |
|-------------------------------------|----------|
| Electrode holder AB33/AB41. | 30661423 |
| Stirrer Compact AS20. | 30661425 |
| SF40A Printer. | 30045641 |
| Tester BNC AB33 AB41 | 30658042 |

Packages Available in two configurations

| a-AB41PH-B | a-AB41PH-F |
|---|--|
| <ul style="list-style-type: none"> - a-AB41PH Benchtop Meter - Stand-Alone Electrode Holder | <ul style="list-style-type: none"> - a-AB41PH-B - ST410 pH Electrode - STTEMP Probe - pH Buffer Mini Kits (4 x 50mL) - Stirrer Compact AS20 |

| Item # | Solutions |
|----------|---|
| 30100424 | Buffer pH 1.68 250 mL |
| 30100425 | Buffer pH 4.01 250 mL |
| 30100426 | Buffer pH 6.86 250 mL |
| 30100427 | Buffer pH 7.00 250 mL |
| 30100428 | Buffer pH 9.18 250 mL |
| 30100429 | Buffer pH 10.01 250 mL |
| 30100440 | Buffer pH 12.45 250 mL |
| 30059255 | Reference Electrolyte (3M KCl Solution Saturated AgCl, 30 mL) |
| 30059256 | pH Electrode Protection Solution (3M KCl, 125 mL) |

| Item # | Electrodes |
|----------|----------------------------|
| 30656037 | pH electrode ST410 |
| 30129354 | pH electrode ST350 |
| 83033967 | pH electrode ST320 |
| 83033965 | pH electrode ST310 |
| 30393265 | pH electrode ST272 |
| 30240974 | pH electrode ST270 |
| 30129357 | pH electrode ST260 |
| 83033968 | pH electrode ST230 |
| 83033966 | pH electrode ST210 |
| 30087566 | pH electrode STMICRO5 |
| 30087569 | pH electrode STMICRO8 |
| 30129470 | pH electrode STSURF |
| 83033969 | pH electrode STPURE |
| 30038555 | ORP electrode STORP1 |
| 30038553 | ORP electrode STORP2 |
| 30059253 | Reference Electrode STREF1 |
| 83033970 | Temperature probe STTEMP30 |

OHAUS Europe GmbH

Heuwinkelstrasse 3,
8606 Nänikon,
Switzerland

e-mail: ssc@ohaus.com
Tel: 0041 22 567 53 19
e-mail: tsc@ohaus.com
Tel: 0041 22 567 53 20

www.ohaus.com

The management system governing the manufacture of this product is ISO 9001:2015 certified.



80776665_A 20210420 © Copyright OHAUS Corporation