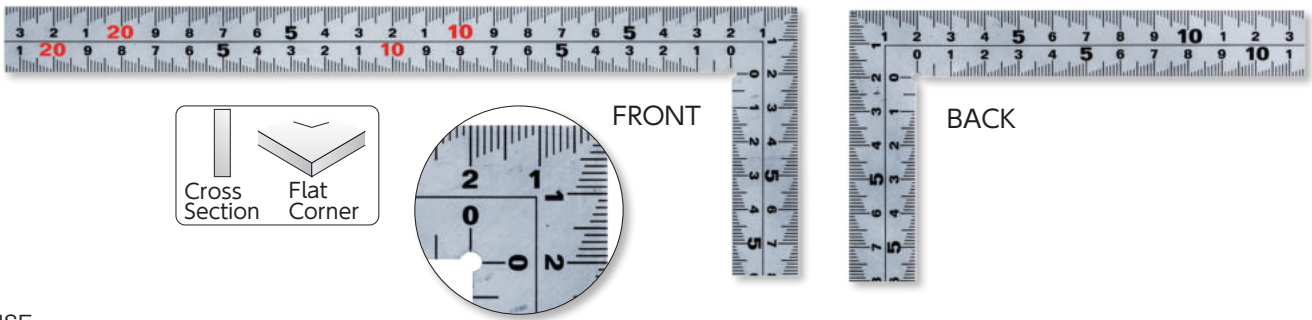


New stepped millimeter graduations prevents misreading



### USE

- Measure dimensions and marking for stone or metal work

### MATERIAL

- Stainless steel

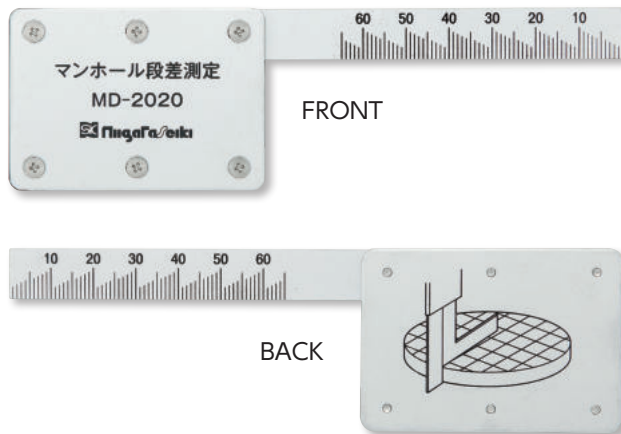
### FEATURES

- Stepped length of linear graduations by 1 mm for easy-to-read
- Highly legible repeated numerals
- Thick blade type protects the product from shock and keep the product shape
- Thin blade type for easy handling (TH-30KD, TH-50KD)
- With a rope hole (MT-30KD, TH-30KD)

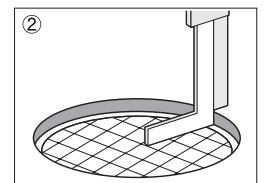
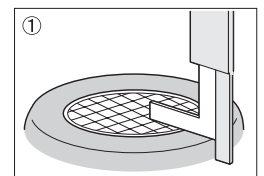
Order No.	Model No.	Size	Type	Graduations	Long blade (mm)	Short blade (mm)	Width (mm)	Thickness (mm)	Weight
111190	MT-30KD	30cm	Thick and wide	Four edges, both sides	320	160	20	2.0	145g
111191	MT-50KD	50cm			520	260			235g
111303	TH-30KD	30cm	Thin and wide		320	160		1.0	75g
111302	TH-50KD	50cm			520	260			120g

## MANHOLE DEPTH MEASURING ADAPTER

Measure the step between manhole and road surface when attached to steel square



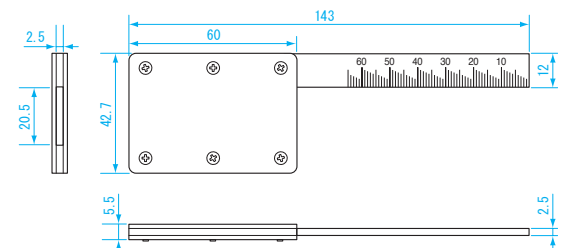
Mount on steel square



Step measurement between manhole and road surface

### ● DIMENSIONS

Units : mm



### USE

- For measuring gaps between manhole and road surface
- Applicable steel square: MT-30KD, MT-50KD

### MATERIAL

- Stainless steel

### FEATURES

- Measuring range: ①65mm
- Horizontal length: ②143mm

Order No.	Model No.	Accuracy (mm)	Applicable square size (mm)	Weight
006991	MD-2020	± 0.2	Width 20 × Thickness 2.0	100g

RULER

TRIANGLE RULER

TAPE MEASURE

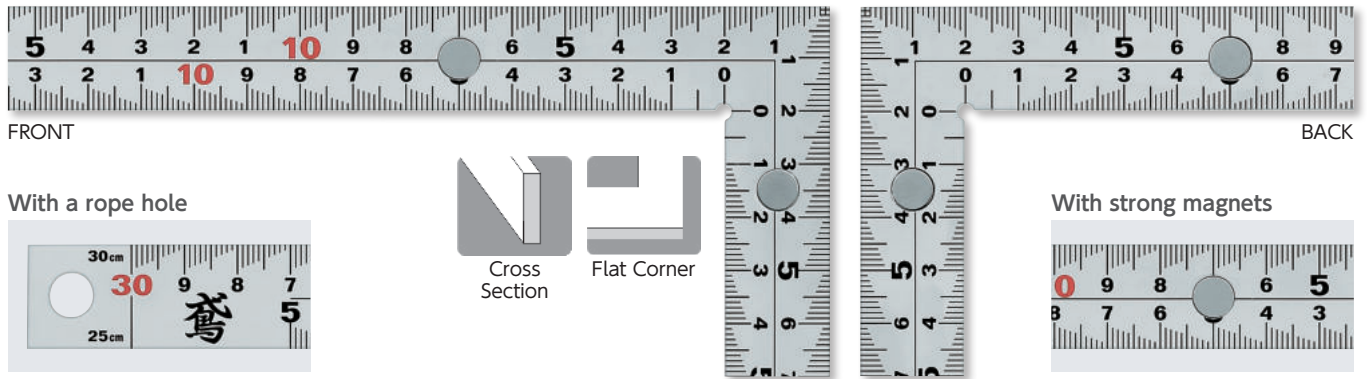
CARPENTERS SQUARE



# CARPENTER'S SQUARE K Aidan WITH MAGNETS



With strong magnets to firmly place it onto metal surface



**USE**

- For measuring dimensions and marking

**MATERIAL**

- Stainless steel

**FEATURES**

- With a rope hole
- Suitable size to carry around in a tool bag
- Thick blades protect the product from shock and keep the product shape

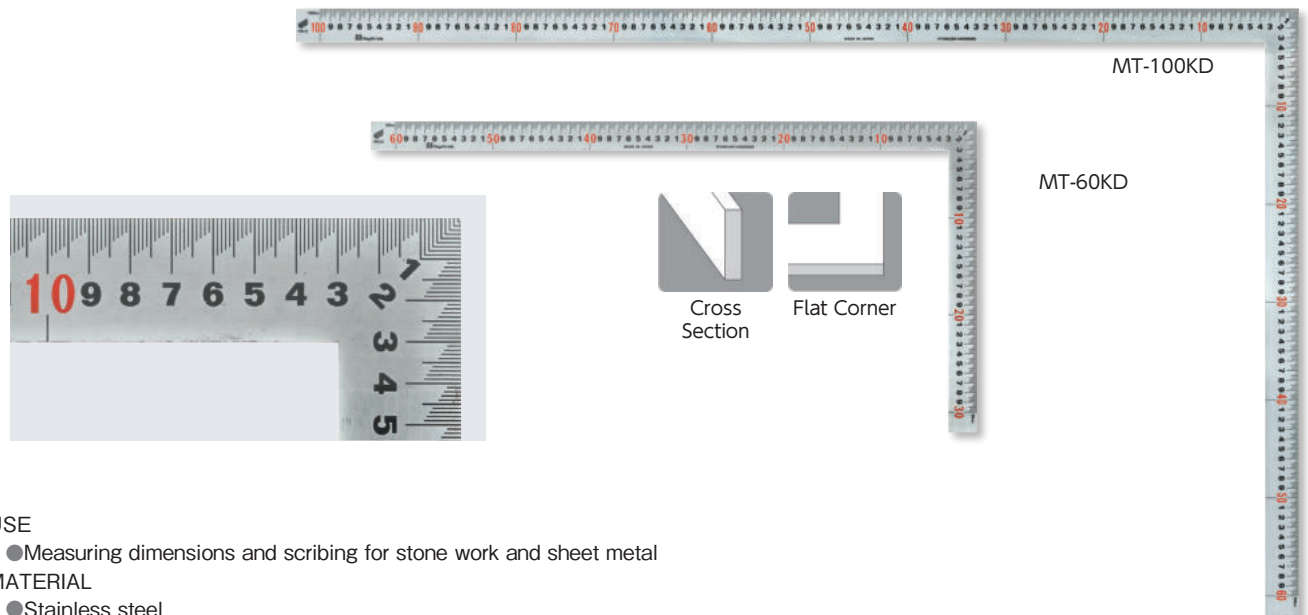
Order No.	Model No.	Size	Type	Long blade (Short blade) × Width × Thickness (mm)	Outer Scale (Front & Back are identical)				Accuracy		Weight
					Long blade 30cm	Short blade 15cm	Long blade 25cm	Short blade 10cm	Deviation from a right angle	Tolerance of length	
111317	MT-30CMGKD	30cm	Magnet attached	320(160)×20×2.0	Long blade 30cm	Short blade 15cm	Long blade 25cm	Short blade 10cm	Less than 0.1mm per 100mm length	300mm ±0.2mm	142g



# MEDIUM / LARGE CARPENTER'S SQUARE K Aidan



Sheet metal workshop essential. Measure dimensions, check right angles, and marking work.



**USE**

- Measuring dimensions and scribing for stone work and sheet metal

**MATERIAL**

- Stainless steel

**FEATURES**

- For working with large material

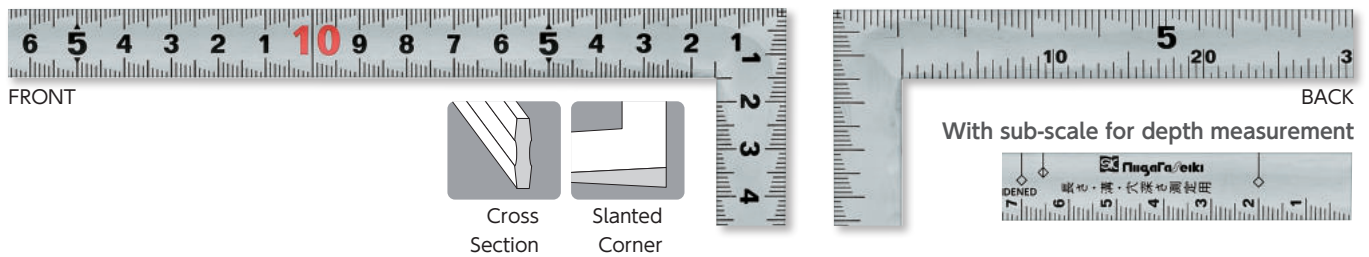
Order No.	Model No.	Size	Type	Length of Long blade (Short blade) × Width × Thickness (mm)	Outer scale (Front only)		Weight
					Long blade	Short blade	
111296	MT-60KD	60cm	Medium	631(325)×30×2.0	60cm	30cm	420g
111297	MT-100KD	100cm	Large	1026(629)×35×2.5	100cm	60cm	1080g



## CARPENTER'S SQUARE K Aidan WITH SUB-SCALES



Diagonal, Circumference and depth measuring scales on the back



### USE

- For measuring dimensions and marking

### MATERIAL

- Stainless steel

### FEATURES

- Pliable and durable high quality rolled material for long product life
- With Japanese carpenter style diagonal, circumference and depth measuring scales on the back

Order No.	Model No.	Size	Type	Long blade (Short blade) × Width × Thickness (mm)	Front Scale		Back Scale		Accuracy		Weight
					Long blade	Short blade	Long blade	Short blade	Deviation from a right angle	Tolerance of length	
111318	SC-30CKD	30cm	Diagonal & Circumference/ Satin finish	320(160) × 15 × 1.3	30cm	15cm	Diagonal	15cm	Less than 0.1mm per 100mm length	300mm ±0.2mm	50g
111320	SC-50CKD	50cm	Diagonal & Circumference/ Polished finish	520(260) × 15 × 1.3	50cm	25cm	Circumference	25cm		500mm ±0.2mm	90g
111319	NC-50CKD						Depth		90g		



## CARPENTER'S SQUARE K Aidan MINI



Small but usufulle. Easy to carry around.



### USE

- For measuring dimensions and marking

### MATERIAL

- Stainless steel

### FEATURES

- Compact and handy
- With sub scale for depth measurement (Back side)
- With a rope hole

Order No.	Model No.	Size	Long blade (Short blade) × Width × Thickness (mm)	Front Scale		Back Scale		Weight
				Long blade	Short blade	Long blade	Short blade	
111325	CM-10KD	10cm	110(58) × 12 × 1.2	10cm	5cm	10cm	5cm	20g
111326	CM-15KD	15cm	162(83) × 12 × 1.2	15cm	7.5cm	15cm	7.5cm	26g

Compact and handy

