

Micrometer

The origin of Mitutoyo's trustworthy brand of small tool instruments

Disk Micrometers SERIES 323, 223, 123

- Measures "root tangent length" of spur gears and helical gears.
- Determination of the root tangent length: refer to "Quick Guide to Precision Measuring Instruments".
- Equipped with Ratchet Stop for constant measuring force.
- Supplied with a setting standard (except for 0-25mm/0-1" measuring range).



SPECIFICATIONS

Metric					
Order No.	Range	Resolution	Accuracy*	Anvil dia.	Measurable module
Digimatic (LCD)					
323-250-30	0 - 25mm	0.001mm	±4μm	ø20mm	0.5 - 6
323-251-30	25 - 50mm				
323-252-30	50 - 75mm				
323-253-30	75 - 100mm				

* Excluding quantizing error

Metric					
Order No.	Range	Graduation	Accuracy	Anvil dia.	Measurable module
Mechanical counter model					
223-101	0 - 25mm	0.01mm	±4μm	ø20mm	0.5 - 6
223-102	25 - 50mm				
Analog					
123-101	0 - 25mm	0.01mm	±4μm	ø20mm	0.5 - 6
123-113*					
123-102					
123-114*					
123-103	25 - 50mm	0.01mm	±6μm	ø20mm	0.5 - 6
123-115*					
123-104	50 - 75mm	0.01mm	±7μm	ø30mm	0.7 - 11
123-106					
123-107	75 - 100mm	0.01mm	±8μm	ø30mm	0.7 - 11
123-108					
123-109	100 - 125mm	0.01mm	±9μm	ø30mm	0.7 - 11
123-110					
123-111	125 - 150mm	0.01mm	±9μm	ø30mm	0.7 - 11
123-112					
123-105	150 - 175mm	0.01mm	±9μm	ø30mm	0.7 - 11
123-108					

* The measuring disks have carbide tips.

Inch/Metric					
Order No.	Range	Resolution	Accuracy*	Anvil dia.	Measurable module
Digimatic (LCD)					
323-350-30	0 - 1"	0.0005"/0.001mm	±.0002"	.787"	0.5 - 6
323-351-30	1" - 2"				
323-352-30	2" - 3"				
323-353-30	3" - 4"				

* Excluding quantizing error

Inch					
Order No.	Range	Graduation	Accuracy	Anvil dia.	Measurable module
Mechanical counter model					
223-125	0 - 1"	.001"	±.0002"	.787"	0.5 - 6
Analog					
123-125	0 - 1"	.001"	±.0002"	.787"	0.5 - 6
123-126	1" - 2"				
123-127	2" - 3"				
123-128	3" - 4"				

IP65

These marks indicate that a product has successfully passed IP65-level testing, which is carried out by the independent German certification organization TÜV Rheinland.



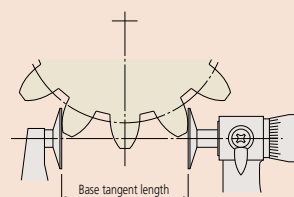
IP Codes (series 323)

- Level 6: Dust-proof.
No ingress of dust allowed.
- Level 5: Protected against water jets.
Water projected in jets against the enclosure from any direction shall have no harmful effects.

Technical Data

- Flatness: 1μm/.00004" for models up to 100mm/4"
1.6μm/.000063" for models over 100mm/4"
- Parallelism: 4μm for models up to 50mm
.0002" for models up to 2"
6μm for models up to 100mm
.0003" for models up to 4"
(5+R/75)μm for models over 100mm,
R = max. range (mm)
fraction rounded up

Root tangent length of gear (En)



Battery for series 323

SR44 (1 pc), 938882, for initial operational checks (standard accessory)

Battery life: Approx. 2.4 years under normal use (for series 323)

Length standard: Electromagnetic rotary sensor (for series 323)

Standard accessories: Reference bar, 1 pc

(except for measuring range 0-25mm (0-1") models)

Spanner (301336), 1 pc

Optional accessories for series 323

Connecting cables

1m: 05CZA662

2m: 05CZA663

USB Input Tool Direct

USB-ITN-B (2m): 06ADV380B

Connecting cables for U-WAVE-T

02AZD790B 160mm

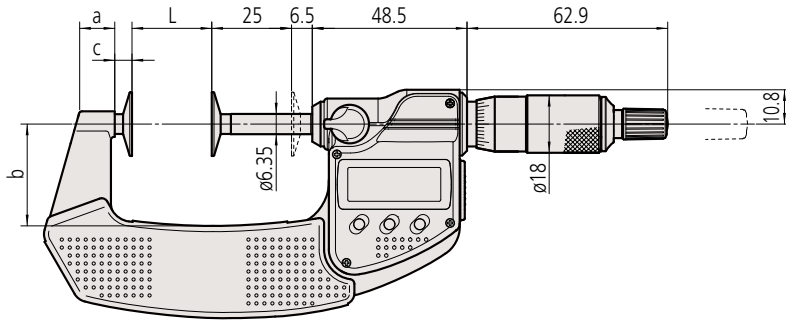
For foot switch: 02AZE140B

Refer to page B-68 for details.

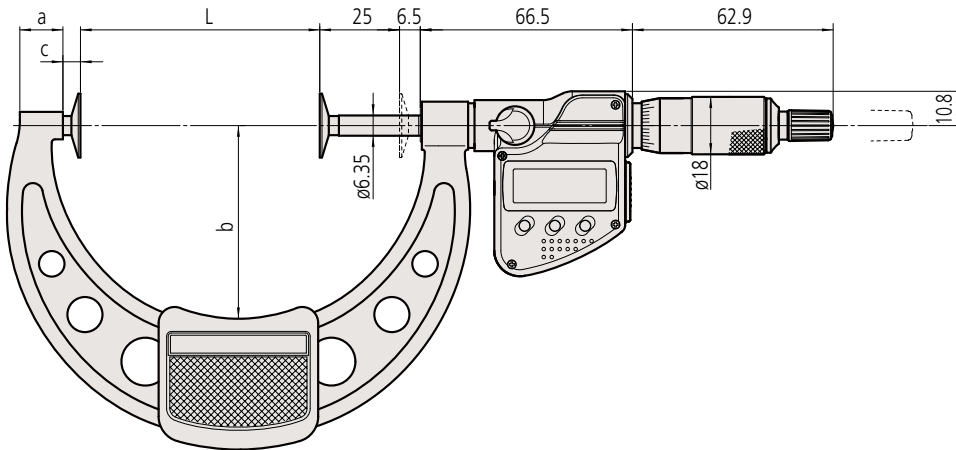
DIMENSIONS

Digital models up to 75mm measuring range

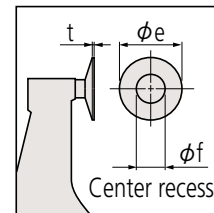
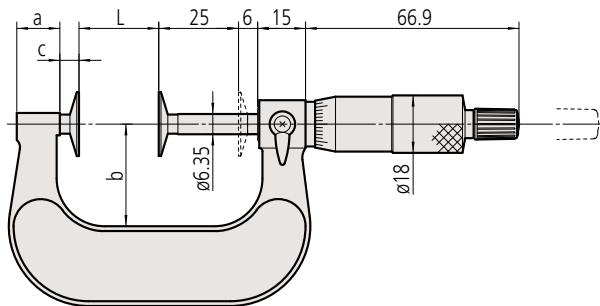
Unit: mm



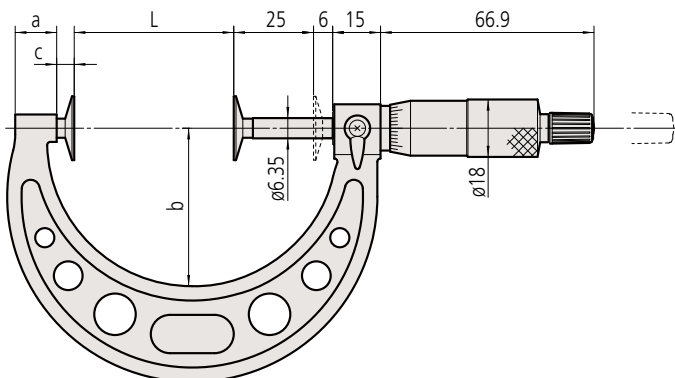
Digital models up to 100mm measuring range



Analog models up to 50mm measuring range



Analog over 50mm measuring range



Range	L	a	b	c	e	f	t
Digimatic (LCD)							
0 - 25mm	0	9.2	25	4.5	20	8	0.7
25 - 50mm	25	11	31	5.4			
50 - 75mm	50	12.2	50	5.5			
75 - 100mm	75	14	60	5.5			
Analog							
0 - 25mm	0	13.8	25	5.7	20	8	0.7
25 - 50mm	25		32				
50 - 75mm	50	12	49	5.5			
75 - 100mm	75	14	63				
100 - 125mm	100	12	79	6	30	12	1
125 - 150mm	125	15	94				
150 - 175mm	150	16	106				
175 - 200mm	175	15	118				
200 - 225mm	200	14	130				
225 - 250mm	225		143				
250 - 275mm	250	15	156				
275 - 300mm	275		169				

* Data in () applies to those with carbide-faced disks.