

IP Codes (series 342)

- Level 6: Dust-proof.
No ingress of dust allowed.
- Level 5: Protected against water jets.
Water projected in jets against the enclosure from any direction shall have no harmful effects.

Technical Data



Battery for series 342

SR44 (1 pc), **938882**, for initial operational checks (standard accessory)
 Battery life: Approx. 2.4 years under normal use (for series 342)
 Length standard: Electromagnetic rotary sensor (for series 342)
 Standard accessories: Reference bar, 1 pc (except for measuring range 0-25mm (0-1") models)
 Spanner (301336), 1 pc

Optional accessories

Connecting cables for **series 342**
 1m: **05CZA662**
 2m: **05CZA663**
USB Input Tool Direct
USB-ITN-B (2m): **06ADV380B**
 SPC cables for **U-WAVE** w/ data switch (160mm):
02AZD790B
 For foot switch: **02AZE140B**
 (Refer to page B-68 for details.)

Point Micrometers
SERIES 342, 142, 112

- Pointed spindle and anvil for measuring the web thickness of drills, small grooves, keyways, and other hard-to-reach features.
- The measuring points (carbide tipped) have approximately 0.3mm radius.
- series 342: IP65 Digimatic micrometers
- Equipped with Ratchet Stop for constant measuring force.



342-251-30



112-201

SPECIFICATIONS

Metric				
Order No.	Range	Resolution	Accuracy*	Point
Digimatic (LCD) (With carbide tip)				
342-251-30	0 - 25mm	0.001mm	±2µm	15°
342-252-30	25 - 50mm			
342-253-30	50 - 75mm			
342-254-30	75 - 100mm	0.001mm	±3µm	15°
342-261-30	0 - 25mm			
342-262-30	25 - 50mm			
342-263-30	50 - 75mm	0.001mm	±2µm	30°
342-264-30	75 - 100mm			
			±3µm	

* Excluding quantizing error

Inch/Metric				
Order No.	Range	Resolution	Accuracy*	Point
Digimatic (LCD) (With carbide tip)				
342-351-30	0 - 1"	.00005"/0.001mm	±.0001"	15°
342-352-30	1 - 2"			
342-353-30	2 - 3"			
342-354-30	3 - 4"	.00005"/0.001mm	±.00015"	15°
342-361-30	0 - 1"			
342-362-30	1 - 2"			
342-363-30	2 - 3"	.00005"/0.001mm	±.0001"	30°
342-364-30	3 - 4"			
			±.00015"	

* Excluding quantizing error

Metric				
Order No.	Range	Graduation	Accuracy	Point
Analog				
112-153	0 - 25mm	0.01mm	±3µm	15°
112-154	25 - 50mm			
112-155	50 - 75mm			
112-156	75 - 100mm	0.01mm	±4µm	15°
112-201	0 - 25mm			
112-202	25 - 50mm			
112-203	50 - 75mm	0.01mm	±3µm	30°
112-204	75 - 100mm			
Analog (With carbide tip)				
112-165	0 - 25mm	0.01mm	±3µm	15°
112-166	25 - 50mm			
112-167	50 - 75mm			
112-168	75 - 100mm	0.01mm	±4µm	15°
112-213	0 - 25mm			
112-214	25 - 50mm			
112-215	50 - 75mm	0.01mm	±3µm	30°
112-216	75 - 100mm			
Mechanical counter model				
142-153	0 - 25mm		±3µm	15°
142-201				30°

Inch						
Order No.	Range	Graduation	Accuracy	Point		
Analog						
112-177	0 - 1"	.001"	±.00015"	15°		
112-178	1" - 2"					
112-225	0 - 1"					
112-226	1" - 2"	.001"	±.00015"	30°		
Analog (With carbide tip)						
112-189	0" - 1"			.001"	±.00015"	15°
112-190	1" - 2"					
112-191	2" - 3"					
112-237	0 - 1"	.001"	±.00015"	30°		
112-238	1" - 2"					
Mechanical counter model						
142-177	0 - 1"		±.00015"	15°		
142-225				30°		

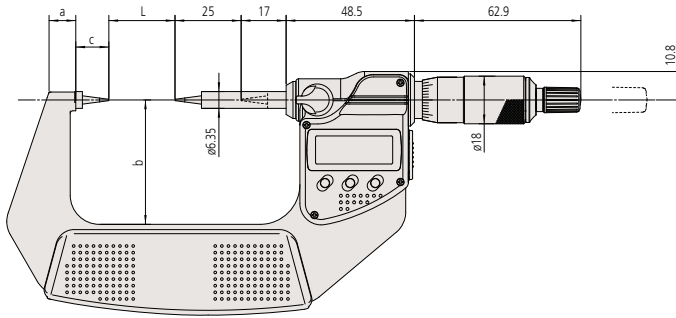
Micrometer

The origin of Mitutoyo's trustworthy brand of small tool instruments

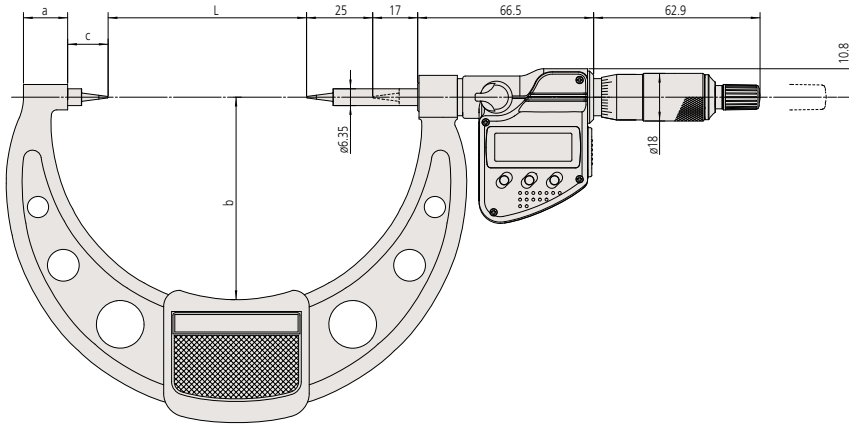
DIMENSIONS

Digital models up to 75mm measuring range

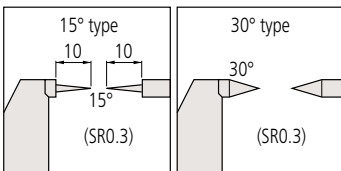
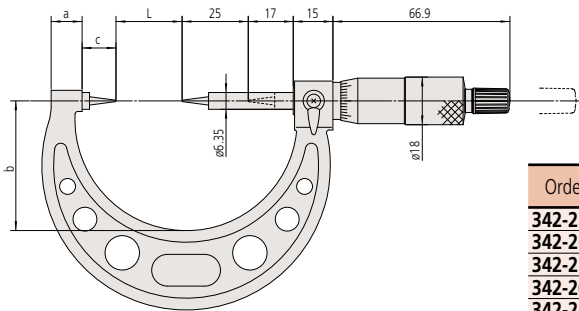
Unit: mm



Digital models over 75mm measuring range



Analog models measuring range



Order No.	L	a	b	c	Frame thickness*1
342-251-30	0	7.3	32.5	12.5	(11.2)
342-261-30	0	7.3	32.5		(11.2)
342-252-30	25	10.1	47	12.5	(12.8)
342-262-30	25	10.1	47		(12.8)
342-253-30	50	11.5	60	15.3	(12.8)
342-263-30	50	11.5	60		(12.8)
342-254-30	75	16.7	76	15.3	(20.8)
342-264-30	75	16.7	76		(20.8)
112-153	0	10	38	12.5	(9)
112-154	25	12	49		(10)
112-155	50	14	60	15.3	(11)
112-156	75	16.7	79		(13)

*1 Digimatic type: thickness over heat shield