

Congratulations on your purchase of Extech's Model 45158 Anemometer. The dual display indicates Air Velocity and Humidity, Dew Point, Ambient Temperature, or Temperature with wind-chill factor. With careful use, this meter will provide years of reliable service.

Operation

Turning the meter ON and OFF

- Press the ON/OFF/HOLD button to turn the meter ON
- Press and hold the ON/OFF/HOLD buttons for approx. 3 seconds to turn it OFF
- The meter's Auto Power OFF feature turns the meter OFF after 10 minutes of inactivity

Change the lower display parameter

- With the meter ON, press and hold down the ON/OFF/HOLD button
- While continuing to hold the ON/OFF/HOLD button, press the UNITS/MODE button repeatedly to step through Temperature (°F/°C), Humidity (RH%), Dew Point (TD), & Temperature with wind-chill factor (WCI). Note that the center display is Air Velocity.

Change the Air Velocity unit of measure

- Turn the meter OFF. Press and hold down both buttons until the display turns on and begins blinking then release both buttons
- Press the UNITS/MODE button repeatedly to step through the units (see specs for list)
- After 5 seconds the meter switches back to normal operation mode automatically

Select temperature units (°C or °F)

- Turn the meter OFF first. Press and hold down both buttons until the display turns on and begins blinking then release the buttons
- Press both buttons momentarily to change temperature units
- After 5 seconds the meter switches back to normal operation mode automatically

Taking Measurements

- Position the meter so that the airflow enters the meter vane from the rear of the meter (opposite-side of front panel logo). A tripod mount is located on the bottom of the meter.

Max Hold

- Max Hold represents the highest measurement taken since the meter was turned on
- Press the UNITS/MODE button to display the Max reading (MAX icon appears)
- Press the UNITS/MODE button repeatedly to step through to the normal operating mode

Average mode

- 5 or 10 reading averages can be displayed in the Average Mode.
- Press UNITS/MODE 3 times for 5 reading averaging or 4 times for 10 readings
- To exit this mode, press the UNITS/MODE button until the icons on the left disappear

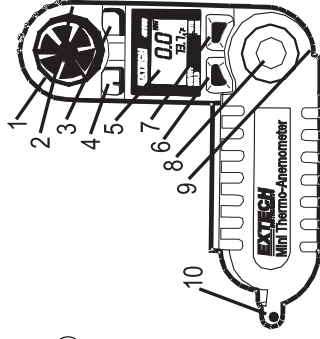
Data Hold

- Data Hold freezes the most recent displayed reading
- Press and hold the ON/OFF/HOLD button to activate Data Hold
- As long as the ON/OFF/HOLD button is held the reading will remain on the LCD

Warranty

EXTECH INSTRUMENTS CORPORATION warrants this instrument to be free of defects in parts and workmanship for one year from date of shipment (a six month limited warranty applies on sensors and cables). If it should become necessary to return the instrument for service during or beyond the warranty period, contact the Customer Service Department at (781) 890-7440 ext. 210 for authorization or visit our website at www.extech.com (click on Contact, Extech and go to Service Department to request an RA number). A Return Authorization (RA) number must be issued before any product is returned to Extech. The sender is responsible for shipping charges, freight, insurance and proper packaging to prevent damage in transit. This warranty does not apply to defects resulting from action of the user such as misuse, improper wiring, operation outside of specification, improper maintenance or repair, or unauthorized modification. Extech specifically disclaims any implied warranties or merchantability or fitness for a specific purpose and will not be liable for any direct, indirect, incidental or consequential damages. Extech's total liability is limited to repair or replacement of the product. The warranty set forth above is inclusive and no other warranty, whether written or oral, is expressed or implied.

Meter Description



- 1 Vane impeller
- 2 Impeller set screw (on rear of meter)
- 3 Relative Humidity sensor
- 4 Temperature sensor
- 5 LCD display
- 6 ON/OFF, HOLD key
- 7 UNITS, MODE key
- 8 Battery compartment (on rear)
- 9 Tripod mounting hole
- 10 Lanyard (neckstrap)

Specifications

Measurement	Range	Resolution	Accuracy (% of reading)
MPH (Miles per hour)	1.1 to 62.5 MPH	0.2 MPH	± (3% + 0.4 mph)
km/hr (kilometers per hour)	1.8 to 100.6 km/h	0.7 km/h	± (3% + 1.4 km/hr)
Knots (nautical miles per hour)	1.0 to 54.3 knots	0.3 knots	± (3% + 0.6 knots)
m/sec (meters per second)	0.50 to 28.00 m/s	0.01 m/s	± (3% + 0.2 m/s)
ft/min (feet per minute)	100 to 5500 ft/min	20ft/min	± (3% + 40 ft/min)
Beaufort force	1 to 17 BF	1 BF	± 1
Temperature	0 to 122°F (-18 to 50°C)	0.1°F/°C	± 1.8°F (± 1°C)
Relative Humidity	10 to 95%	1%	± 5% RH
Dew Point	32 to 122 °F (0 to 50°C)	0.1°F/°C	± 3.6°F (2°C)

General Specifications

Display	Dual LCD with low battery and multifunction indicators
Sensors	Sapphire bearing, non-corrosive vane for air velocity; Precision thermistor for temperature measurements
Average Mode	Choice of 5 or 10 reading averaging (2 second factory default)
Max and Data Hold Displays	Max recalls the highest reading; Data Hold freezes the display
Sample time	1 reading per second for air velocity and temperature (1 reading per 15 seconds for humidity with 2 second updates)
Water-resistant	To 3' (1m)
Operating conditions	5 to 122°F (-15 to 50°C) / < 80% RH
Power supply	Lithium battery (CR-2032 or equivalent) / 400 hour battery life
Dimensions / Weight	Instrument: 5.25 x 2.75 x 0.75" (133 x 70 x 19mm) Vane: 1" (24mm) diameter / 3 oz. (95 g)

Maintenance

Battery Replacement

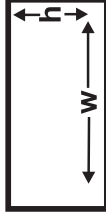
The 45158 has a low battery indicator (battery symbol). Important: Turn the meter off before opening the battery compartment. Using a coin, turn the battery compartment cover CLOCKWISE to remove it. Once opened, observe the position of the battery, placing the new battery in accordance with local, state, or national disposal codes.

Impeller Replacement

- Remove the set screw next to the impeller assembly (on the rear of the meter).
- Twist the impeller assembly counter-clockwise to the OPEN position and remove it.
- Install impeller by inserting & twisting the new impeller assembly clockwise
- Tighten the set screw.

CFM Measurements

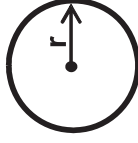
Measure the area of the duct using the diagrams below for rectangular and circular ducts (if the duct measurements are made in inches, divide the inches by 144 to get the area in square feet). Plug the area value (in square feet) in the cubic equations below. Note that the air velocity must be plugged into the cubic equations also.



$$A = W * h$$

$$CFM (ft^3/min) = Air Velocity (ft/min) \times Area (ft^2)$$

$$CFM (m^3/min) = Air Velocity (m/sec) \times Area (m^2) \times 60$$



$$A = \pi r^2$$

Calibration and Repair Services

Extech offers complete repair and calibration services for all of the products we sell. For periodic calibration, NIST certification or repair of any Extech product, call customer service for details on services available. Extech recommends that calibration be performed on an annual basis to insure calibration integrity.

Copyright © 2008 Extech Instruments Corporation.

All rights reserved including the right of reproduction in whole or in part in any form. V3.0 03/08

Support Hotline (781) 890-7440
Tech support: Ext. 200; Email: support@extech.com
Repair>Returns: Ext. 210; Email: repair@extech.com
Website: www.extech.com