



## Dial Gauge, Lug Back, ISO Type Jeweled Bearing, Shockproof, 1mm, 0,001mm

Item number: 2110A-10



### Description

#### Standard Type, 1 mm Range, 0,001 mm Graduation

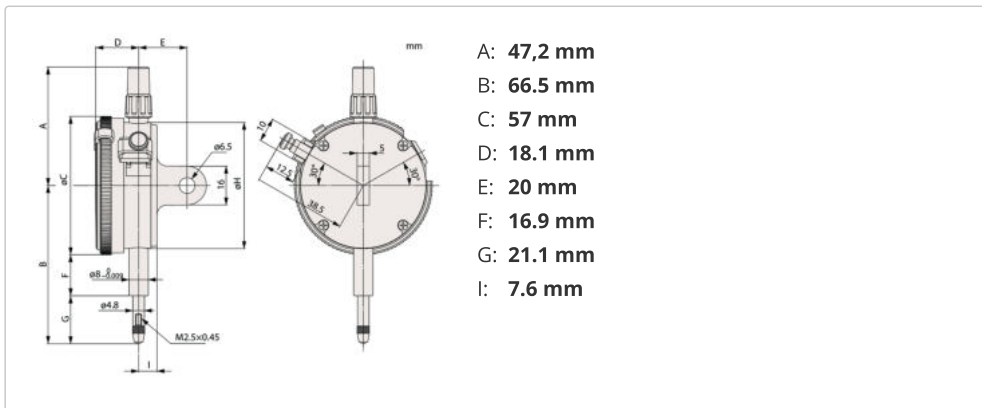
This is a standard, metric dial indicator. It offers you the following benefits:

- Bezel clamp and lifting lever (optional) can be attached to either right or left side. They can be easily installed and removed without tools.
- No through screw holes on the frame and secure adhesion between the bezel and the crystal as well as the use of an O-ring prevents water or oil penetration.

### Features

Range:	<b>1 mm</b>
Range per rev.:	<b>0.1 mm</b>
Graduation:	<b>0.001 mm</b>
Scale:	<b>0-100 (100-0)</b>
MPE any 1/10 revolution:	<b>2.5 µm</b>
MPE any 1/2 revolution:	<b>4 µm</b>
MPE any 1 revolution:	<b>4.5 µm</b>
MPE measuring range:	<b>5 µm</b>
H MPE (Hysteresis):	<b>2 µm</b>
R MPE (Repeatability):	<b>1 µm</b>
Measuring force:	<b>0,4-1,8 N</b>
Mass:	<b>149 g</b>
Continuous dial:	<b>Yes</b>
Double scale spacing:	<b>Yes</b>
Shockproof:	<b>Yes</b>
Jeweled bearing:	<b>Yes</b>
Digital/Analog:	<b>Analog</b>
Inch-Metric:	<b>Metric</b>
Type:	<b>EN ISO Standard</b>
Stem:	<b>8 mm</b>
Contact point:	<b>Carbide tipped, thread: M 2.5 x 0.45 mm</b>
Delivered:	<b>with certificate of inspection</b>

### Dimensions



## Accessories

### Optional accessories:



**Limit Hands (green) 2pcs**  
**Dial Indicator Series 2/3/4**  
**21AZB195**  
 Price on application



**Bezel Clamp for Dial Gauge**  
**Metric, Series 2/3/4**  
**21AZB148**  
 Suggested retail price: 1.70 €\*  
 Price on application



**Spindle Lifting Lever**  
**for Digital Indicator, A-Type Dial Indicator Series 2/3/4**  
**21EZA198**  
 Price on application



**Spindle Lifting Cable**  
**for Indicator, L=500mm**  
**21JZA295**  
 Price on application



**Spindle Lifting Cable with Auto Stop**  
**for Indicator, L=300mm**  
**21JZA301**  
 Price on application

## Spare parts

### Consumable spares:



**Contact Element Ball Point, M2,5x0,45**  
**7,3mm Length, Carbide, Metric**  
**901312**