

IP65



287 SVD is a sensor for sensing AC High Voltage. It provides electric engineering personnel, power engineering personnel, firefighting personnel and instrument equipment workers with prominent warning when approaching high voltage source.

METHOD OF USE

- Inspection before use
 - (1) Check the appearance and structure for any abnormality.
 - (2) Press Self-Test switch (about 3 seconds) to confirm all functions are working normally.
 - (3) To be careful and to avoid misjudgment, test the unit by contacting AC 110V insulated wire with its front side to see if it sounds and flashes.
- Wearing
 - (1) Wear the unit in front of the safety helmet.
 - (2) Wear the unit on the outer side of the forearm with the sensing side facing outward, as shown in the following figure.

※ The effect is best when the sensing side is facing high voltage at right angles (90 degrees). When it is worn on the inner side of the arm or is covered by clothing, the sensitivity is degraded.



(1) 3 hooks hold the elastic cord around the safety helmet.

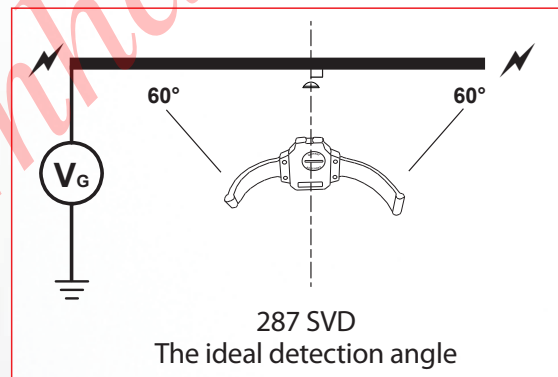


Voltage	Detection Angle	Detection Distance
6.6kV (3.8kV phase to ground)	90°	40 cm ± 20%
11.4kV (6.6kV phase to ground)	90°	55 cm ± 20%
19.7kV (11.4kV phase to ground)	90°	80 cm ± 20%
22.8kV (13.2kV phase to ground)	90°	85 cm ± 20%

SEW PERSONAL SAFETY VOLTAGE DETECTOR

- Compact, easy to wear and convenient in use.
- Usable both indoor and outdoor.
- Water-proof design. (IP65)
- Equipped with self-testing functions.
- Able to sense all kinds of AC High Voltage System.
- Low power consumption.
- CE Certified.

※ 287 SVD has a wide angle for voltage detection (about 120°)



SPECIFICATIONS

- Distance of starting warning : 85 cm for 22.8kV (phase to phase)
- Applicable frequency : 50 / 60 Hz
- Volume : 70dB or higher at 1 meter distance
- Operating Temp & Humidity : 0°C - 40°C / 80% RH.
- Outside dimensions : 61(L) x 62(W) x 18.5(D) mm
- Weight : 70g (incl. battery)
- Battery type : CR2032
- Battery life : 50 hours for continuous use.
- Accessories : Instruction manual, Elastic cord, Elastic cord adjustment, Connection ring, Hooks, Battery