

# SEW

## NON-CONTACT HIGH VOLTAGE DETECTOR



CE

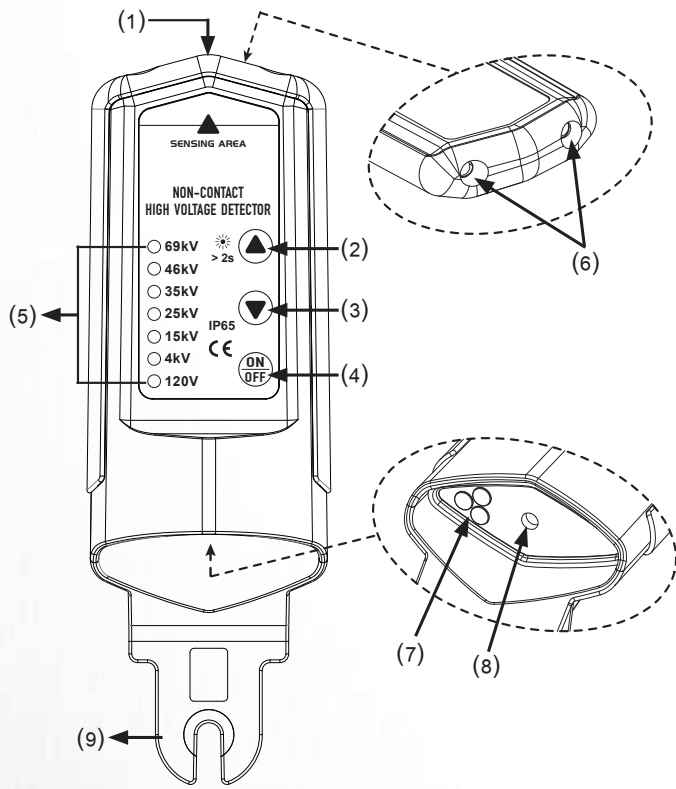
IP65

*The 381 HP is a new tool for checking the presence of AC high voltages and low voltages. It is waterproof and has seven voltage detection settings from 120Vac to 69kVac.*

*The 381 HP provides a non-contact detection of AC voltages with an internal pickup sensor plate.*

- Protection class : IP65
- 7 voltage settings : 120V, 4kV, 15kV, 25kV, 35kV, 46kV, 69kV
- Bright LED visual indication
- Vibration function
- Frequency range : 40~70Hz
- Audible indication
- Easy-to-prove method
- Power source: 9V alkaline battery
- Non-contact detection by proximity
- Compatible with most hot sticks
- Lightweight, robust & compact
- Special ranges are available upon request
- Flashlight function
- Safety standard : EN 61326-1 CISPR 11
- Operating temperature and humidity : 0°C ~ 40°C / 80% R.H. Max.
- Dimensions : 262(L) × 85(W) × 56(D)mm
- Weight: Approx. 345g

## INSTRUMENT LAYOUT



- (1) Sensing area
- (2) Voltage range selection "▲" button and " > 2s " flashlight button
- (3) Voltage range selection "▼" button
- (4) ON/OFF button
- (5) Voltage range indication LEDs
- (6) Flashlight
- (7) Voltage detection LEDs
- (8) Buzzer
- (9) Connection end

## APPLICATIONS

- Non-contact detection of live voltages.
- Find faults in cables.
- Check and detect live high voltage cables.
- Trace live wires.
- Check high frequency radiation.
- Check grounding equipment.
- Detect residual or induced voltages.

## ACCESSORIES



① Pouch